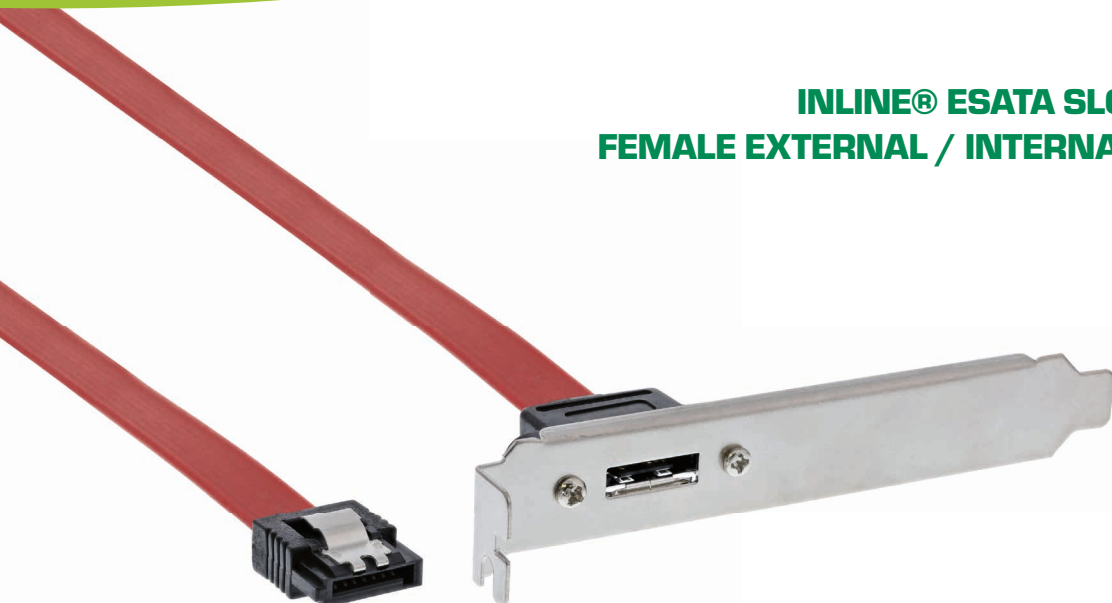


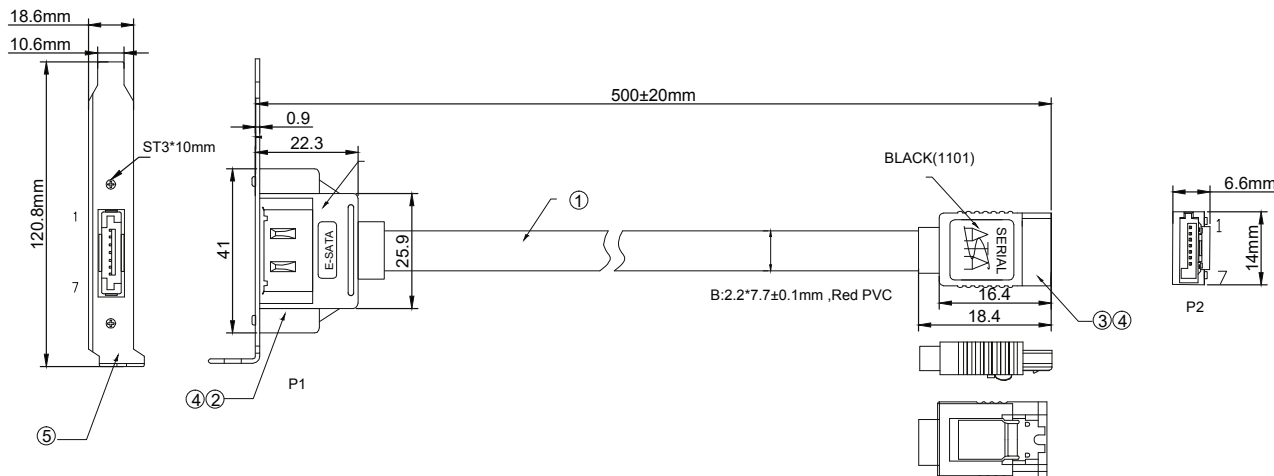
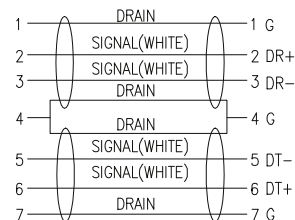
## INLINE® ESATA SLOT BRACKET ESATA FEMALE EXTERNAL / INTERNAL SATA MALE 0.5M



Slot bracket permits connecting external SATA (eSATA) devices to internal SATA controller on main-board or interface card. Cable is very well shielded and allows data transfer rates up to 6Gb/s.

- SATA plug 7 pin to eSATA socket in slot bracket
- Length ca. 0.5m
- SATA plug with security latch

### PINOUT:



Technical Data	
Brand	InLine®
Category	I/O cards / front panel / slot brackets
Type	eSATA
PU	1 Pieces
Low Profile	No
Connections external	eSATA female
Connections internal	SATA connector 7 pin
Shielding	Yes
Data rate	6 Gb/s

### NOTE:

1. Open/short 100% test
2. Insulation resistance: 10MΩ Min
3. Contact resistance: 1Ω Max
4. Hipot: DC 300V/1SEC
5. Transfer rate up to 6Gb/s
6. Printing: Serial ATA 26AWG E332199 兄 AWM STYLE 2725 80°C 30V VW-1 WINWIN ROHS 3 support (EU 2015/863) Compliant

Symbol	Description	Material	Quantity
⑤	IRON FRAME	Metal, nickel-plated	1
④	MOULDING	Black pvc moulding	2
③	SATA	Sata 7pin straight plug with nickel latch, gold-plated pin, nickel-plated shell	1
②	ESATA	ESata 7pin straight female, gold-plated pin, nickel-plated shell	1
①	CABLE	(26#*2C+AL-FOIL+2D 28#)*2, Red PVC, OD: 2.2*7.7±0.1mm	1

**EAN: 4043718097944**  
**ART.-NR.: 27902**