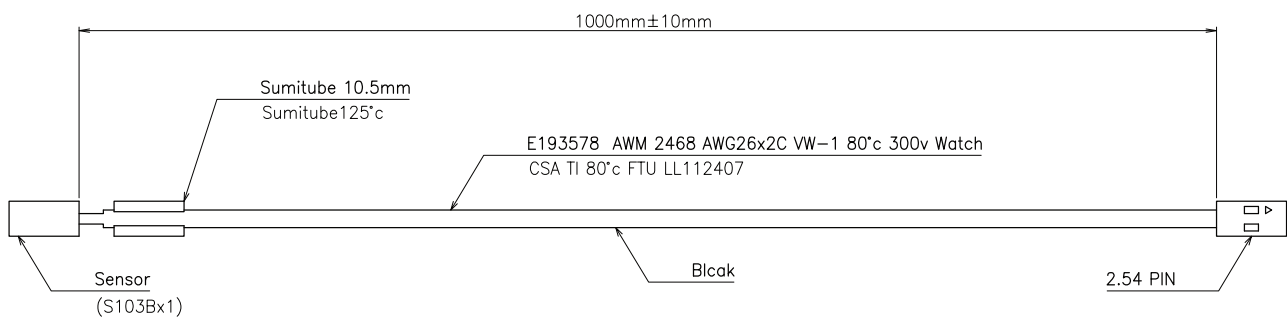


THERMAL SENSOR CABLE 1M



- e.g. for connecting to front panel
- NTC resistance
- Temperature range: -50°C up to +90°C

- Resistance at 25°C: 10KOhm
- Cable: 1m with pole connector, 2 pin



EAN: 4043718118878
ART.-NR.: 36219I