

INLINE® KVM SWITCH, 2-WAY, HDMI

Dual Monitor, 8K60Hz, USB Hub, black



- **Conveniently control two PCs:** Use one workstation with two monitors, one keyboard, one mouse and multiple USB devices for both computers.
- **Highest resolutions up to 8K@60Hz:** Supports HDMI 2.1, HDR10, Dolby Vision and enables crystal-clear images for gaming, image editing or presentations.
- **Flexible switching without delay:** Switch quickly between two PCs via hotkey, button, IR remote control or RS-232 – without reconnecting cables.
- **Integrated USB 3.2 hub:** Four USB ports plus two hotkey USB ports for flexible use of keyboard, mouse and peripherals – ideal for versatile applications.
- **Robust metal housing and plug & play:** Easy installation without drivers, high-quality design – perfect for professional and private use.

The InLine KVM Switch, 2-port, HDMI 2.1, Dual Monitor, 8K60Hz allows you to control two PCs from a single workstation with two monitors, one keyboard, one mouse and multiple USB devices.

Switching between the two computers is convenient via hotkey, button, IR remote control or RS-232 – without time-consuming cable reconnections. Thanks to HDMI 2.1 technology and a maximum resolution of 8K at 60Hz, you benefit from impressive image quality and smooth display.

The KVM switch supports HDR10, Dolby Vision and other modern video and audio formats – ideal for gaming, graphics editing, presentations or control rooms.

With four USB 3.2 Gen.1 ports and two additional hotkey USB ports, you can conveniently use a keyboard, mouse and other peripheral devices. The robust metal housing, high transmission bandwidth of up to 40 Gb/s and simple plug & play installation make the switch a future-proof solution for private and professional users.

- **Inputs:**
 - – 4 × HDMI (2 per PC, type A, 19-pin)
 - – 2 × USB host (USB-B)
- **Outputs:**
 - – 2 × HDMI (type A, 19-pin)
 - – 1 × L/R audio output (3.5 mm stereo)
- **Video resolutions:** up to 8K@60Hz, 4K@120Hz/144Hz, 1080p@240Hz
- **Video bandwidth:** up to 40 Gb/s
- **HDR support:** HDR, HDR10, HDR10+, Dolby Vision, HLG
- **Colour depth:** 8 / 10 / 12 bits
- **Colour spaces:** RGB, YCbCr 4:4:4 / 4:2:2 / 4:2:0
- **HDMI version:** HDMI 2.1
- **HDCP version:** HDCP 2.3
- **Audio formats HDMI IN/OUT:** LPCM, Dolby Digital/Plus/EX, Dolby TrueHD, Dolby Atmos, DTS, DTS-EX, DTS-96/24, DTS High Res, DTS-HD Master Audio, DTS:X, DSD
- **Latency:** no video or audio delay
- **CEC support:** yes
- **USB ports:**
 - – 4 × USB 3.2 Gen.1 (USB-A)

- – 2 × USB 3.2 Gen.1 (USB-A) with hotkey support (switchable to USB 1.1)
- RS-232: 3-pin terminal connection
- IR EXT: 3.5 mm jack socket
- **Housing:** metal, black
- **Dimensions:** 220 × 100 × 30 mm
- **Weight:** 626 g
- **Operating temperature:** 0–40 °C
- **Storage temperature:** –20–60 °C
- **Humidity:** 20–90% (non-condensing)
- **ESD protection:** ±8 kV air / ±4 kV contact

Recommended cable lengths

- up to 3 m: 8K / 4K@120Hz
- up to 5 m: Ultra HDMI 2.1
- up to 10 m: 1080p with standard HDMI cable

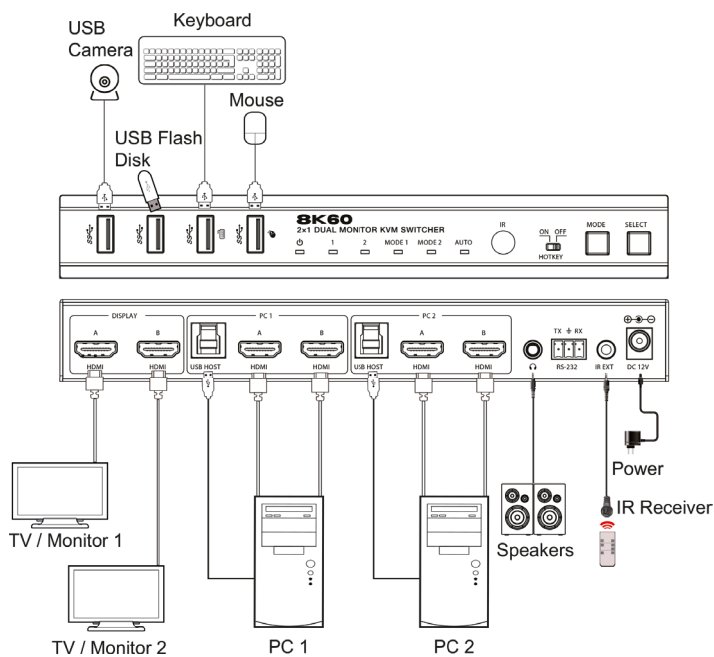
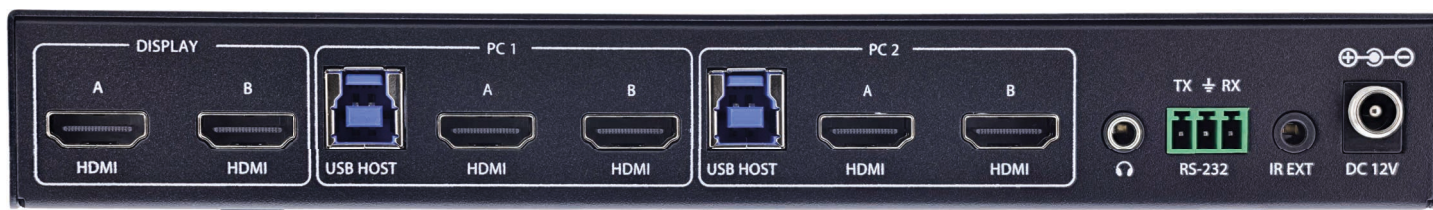
External power supply (power adapter)

- **Type:** external plug-in power adapter with lock
- **Input voltage:** 100–240 V AC, 50/60 Hz
- **Output voltage:** 12.0 V DC
- **Output current:** max. 1.0 A
- **Output power:** 12.0 W
- **Average operating efficiency:** 85.23%
- **Efficiency at low load (10%):** 78.53%
- **Power consumption at zero load:** 0.09 W

Scope of delivery

- 1× InLine® KVM switch, 2-port, HDMI, 8K60Hz, dual monitor
- 1× IR remote control
- 1× IR receiver cable (1.5 m, 38 kHz)
- 2× USB cable (USB 3.2 Gen.1, USB-A to USB-B, 1.8 m)
- 4× HDMI cables (1.5 m each, plug/plug)
- 1× 12 V/1 A power supply with lock
- 1× 3-pin terminal connection plug
- 2× mounting brackets
- 4× screws (KM3×4)
- 1× user manual in German/English

Item No.	Number of CPU	EAN
57885H	2	4043718344314



Technical Data

Article height:	3.0 cm
Article length:	10 cm
Article width:	22 cm
Audio outputs per console:	3.5mm jack x1
Audio per CPU:	3.5mm jack x1
Complies with HDMI standard:	2,1
Design:	Desktop
Front panel buttons:	Yes
Incl. KVM cables:	Yes
Max. resolution:	7680x4320 / 60Hz
Number of CPU:	2
Number of consoles:	1
Peripheral outputs per console:	USB-A female x4
Periphery inputs per CPU:	USB-B female x2
Screen connectors per console:	2
Type 1:	KVM switch
Type 2:	2-fold HDMI KVM
Type of packaging:	InLine® carton without Euro perforation
USB peripherals:	Yes
USB specification:	USB 3.2 Gen.1
Video inputs per CPU:	HDMI x2
Video outputs per console:	HDMI x2

If you have any further questions, please contact marketing@inline-info.com

www.inline-info.com/en/

Disclaimer

InLine® is a brand of INTOS ELECTRONIC AG | Siemensstraße 11 | D-35394 Gießen

Documentation © 2025 INTOS ELECTRONIC AG

All rights reserved. No part of this document may be reproduced in any form or by any means, electronic, mechanical or chemical, without the prior written permission of the publisher. It is possible that this document may still contain typographical faults or misprints.

However, the information in this document will be checked regularly and corrections will be made in the next edition. We accept no liability for errors of a technical or printing nature and their consequences. All trademarks and industrial property rights are acknowledged. Changes in the sense of technical progress can be made without prior notice. Our products, including packaging, are not toys, they may contain small parts and sharp objects.

Please keep away from children.