



- **Control four HDMI sources simultaneously:** Display up to four PCs or devices simultaneously on one screen with a split multiview layout.
- **Flexible multiview modes for a perfect overview:** Choose between PIP, PBP, Triple or Quad – ideal for IT, control rooms or presentations.
- **Seamless switching without interruption:** Control via button, hotkey, IR, OSD or software – quick changes without reconnecting cables.
- **USB KVM for shared peripheral use:** Use one keyboard, mouse and USB devices for all four systems simultaneously – saves space and costs.
- **Brilliant 4K@60Hz image quality:** Supports HDR, various audio formats and offers razor-sharp UHD display for demanding applications.

With the InLine KVM Switch, 4-way, HDMI, Multiviewer function, you can control and monitor up to four HDMI sources simultaneously on a single UHD display. The integrated multiview modes such as PIP, PBP, Triple or Quad offer maximum flexibility for every requirement – whether in control rooms, during presentations or in your home office.

Thanks to the built-in USB KVM hub, all four systems share a keyboard, mouse and USB devices, allowing you to work efficiently and save space. Switching between sources is seamless and uninterrupted – either via button, hotkey, IR remote control, OSD menu or software. It supports resolutions up to 4K@60Hz (4:4:4), various HDR formats and extensive audio options via HDMI, SPDIF and stereo output. With its robust metal housing and simple plug & play installation, this KVM switch is the perfect solution for versatile and demanding applications.

Optimised image performance depending on mode:

Each of the four HDMI inputs supports up to 3840×2160@60Hz (HDMI 2.0b, 4:4:4) – both individually and in multiview mode:

- Single-view mode: Reproduces a single 4K60Hz signal in full native quality if the source supports this. If only a 1080p signal is available, it is upscaled to 4K (with the output set accordingly).
- Multiview mode: Combines up to four 1080p sources into a razor-sharp 4K output image (4× 1920×1080 = 3840×2160). Here too, scaling is performed for optimal display.

Technical data

- Inputs:
 - 4 × HDMI (Type A, 19-pin)
 - 4 × USB 3.2 Gen.1 Host (USB-B)
- Outputs:
 - 1 × HDMI OUT (Type A)
 - 1 × 3.5 mm stereo jack (L/R, PCM2.0)
 - 1 × S/PDIF (optical)
- Other connections:
 - 2 × USB 2.0 for mouse/keyboard
 - 3 × USB 3.2 Gen.1 for USB devices
 - 1 × RS-232 (3-pin terminal connection)
 - 1 × IR EXT (3.5 mm stereo)
- Supported resolutions: up to 3840×2160@60Hz (4:4:4), 18 Gbps

- Supported audio formats:#
 - HDMI: PCM2.0/5.1/7.1, Dolby Digital/Plus/EX, DTS, DTS-HD, DSD
 - SPDIF: Dolby Digital/Plus, DTS 5.1, PCM2.0
 - 3.5 mm L/R: PCM2.0
- HDMI version: 2.0b
- HDCP compatibility: 2.2 / 1.x
- Colour depth: 8 / 10 / 12 bits
- Colour spaces: RGB, YCbCr 4:4:4 / 4:2:2 / 4:2:0
- Multiview modes: Single, PIP, PBP (1), PBP (2), Triple (1), Triple (2), Quad (1), Quad (2)
- Control: Front panel, IR, hotkey, OSD, RS-232, controller software
- EDID management: predefined and user-defined modes
- Housing: metal, black
- Dimensions: 220 × 100 × 44 mm
- Weight: 443 g
- Operating temperature: 0–40 °C
- Storage temperature: –20–60 °C C
- Humidity: 20–90% (non-condensing)
- ESD protection: ±8 kV air / ±4 kV contact

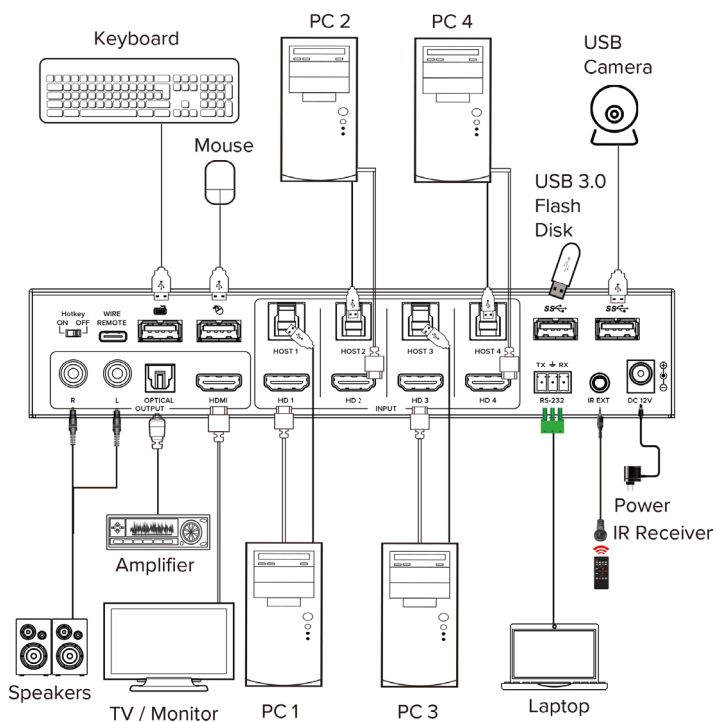
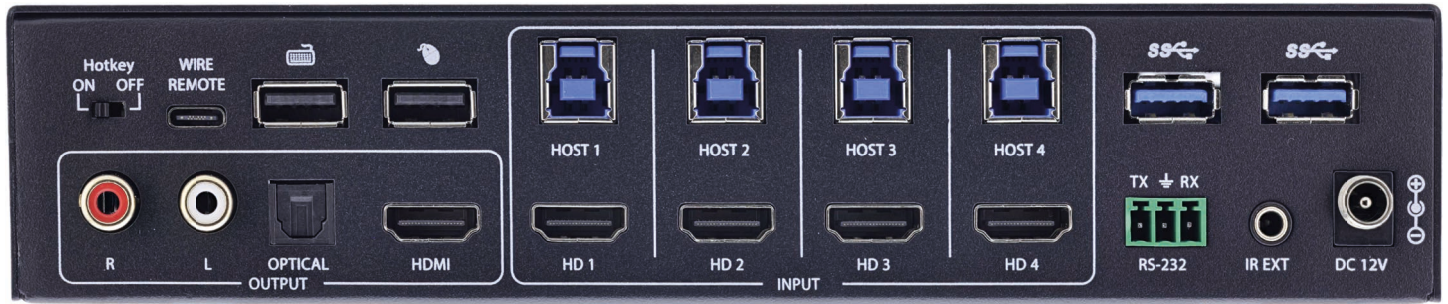
External power supply (power adapter)

- Type: external plug-in power adapter with lock
- Input voltage: 100–240 V AC, 50/60 Hz
- Output voltage: 12.0 V DC
- Output current: max. 2.5 A
- Output power: 25.0 W
- Average operating efficiency: 89.26%
- Efficiency at low load (10%): 85.60%
- Power consumption at zero load: 0.062 W

Scope of delivery

- 1× InLine® KVM switch, 4-port, HDMI, 4K60Hz, with multiviewer function
- 1× IR remote control
- 1× IR receiver cable (38 kHz, 1.5 m)
- 4× USB cables (USB 3.2 Gen.1, USB-A to USB-B, 1.8 m)
- 1× 12 V/2.5 A power supply with lock
- 1× 3-pin terminal connection plug
- 2× mounting brackets
- 4× screws (KM3×4)
- 1× user manual in German/English

Item No.	Number of CPU	EAN
57885I	4	4043718344321



Technical Data

Article height:	4.5 cm
Article length:	22 cm
Article width:	10 cm
Audio per CPU:	3.5mm jack x1
Complies with HDMI standard:	2,1
Design:	Desktop
Front panel buttons:	Yes
Incl. KVM cableset:	Yes
Max. resolution:	3840x2160 / 60Hz
Number of CPU:	4
Number of consoles:	1
Periphery inputs per CPU:	USB-B female x1
Screen connectors per console:	1
Type 1:	KVM switch
Type 2:	4-fold HDMI KVM
Type of packaging:	InLine® carton without Euro perforation
USB peripherals:	Yes
USB specification:	USB 3.2 Gen.1
Video inputs per CPU:	HDMI x1
Video outputs per console:	HDMI x1

If you have any further questions, please contact marketing@inline-info.com

www.inline-info.com/en/

Disclaimer

InLine® is a brand of INTOS ELECTRONIC AG | Siemensstraße 11 | D-35394 Gießen

Documentation © 2025 INTOS ELECTRONIC AG

All rights reserved. No part of this document may be reproduced in any form or by any means, electronic, mechanical or chemical, without the prior written permission of the publisher. It is possible that this document may still contain typographical faults or misprints.

However, the information in this document will be checked regularly and corrections will be made in the next edition. We accept no liability for errors of a technical or printing nature and their consequences. All trademarks and industrial property rights are acknowledged. Changes in the sense of technical progress can be made without prior notice. Our products, including packaging, are not toys, they may contain small parts and sharp objects.

Please keep away from children.