

INLINE® FRAME SET

for 2x RJ45 Bu/LSA insert, Keystone SNAP-In, white RAL9010



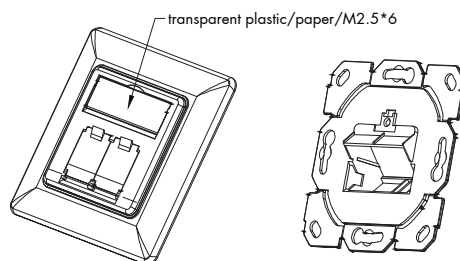
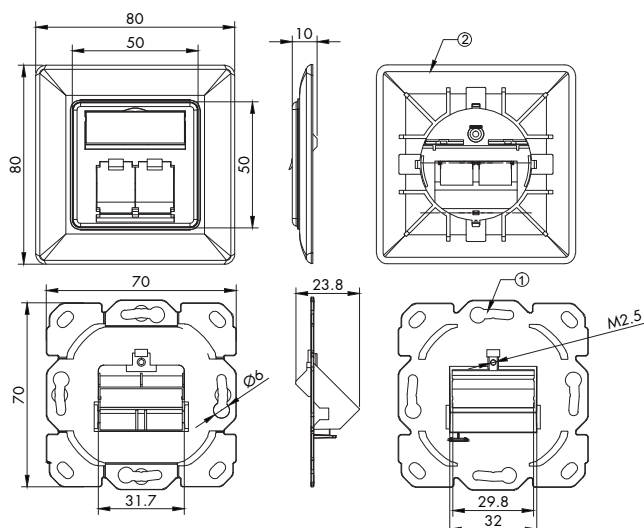
Frame set for 2x RJ45 socket, Keystone SNAP-In, white RAL9010

- for mounting modules
- Fixing frame with 80x80mm cover + central plate 50x50mm
- with dust protection caps and labelling field
- without modules

Item No.	Connections	EAN
76202U	2x RJ45	4043718341023

Technical Data

Article height:	2.5 cm
Article length:	8 cm
Article width:	8 cm
Cable entry:	Any
Colour:	White (RAL9010)
Connections:	2x RJ45
Installation:	Flush-mounted
Keystone SNAP-In compatible:	Yes
Modules integrated:	No
Network category:	Module dependent
Type:	Frame set for RJ45 Bu/LSA clamp
Type of packaging:	Without packaging (bulk)



② HOUSING	ABS/RAL9010	1
① PANEL	Zinc Alloy/Silver	1
NO. PART NAME	DESCRIPTION	QUANTITY

Note:

- Accessory screw : 2.5*6mm 1pc, 2.5*8mm 1pc, 2.5*10mm 1pc
 - Face plate suitable for keystone jacke DM item no DNM2051
- RoHS2.0 (2011/65/EU) Compliant

If you have any further questions, please contact marketing@inline-info.com

www.inline-info.com/en/

Disclaimer

InLine® is a brand of INTOS ELECTRONIC AG | Siemensstraße 11 | D-35394 Gießen

Documentation © 2025 INTOS ELECTRONIC AG

All rights reserved. No part of this document may be reproduced in any form or by any means, electronic, mechanical or chemical, without the prior written permission of the publisher. It is possible that this document may still contain typographical faults or misprints.

However, the information in this document will be checked regularly and corrections will be made in the next edition. We accept no liability for errors of a technical or printing nature and their consequences. All trademarks and industrial property rights are acknowledged. Changes in the sense of technical progress can be made without prior notice. Our products, including packaging, are not toys, they may contain small parts and sharp objects.

Please keep away from children.